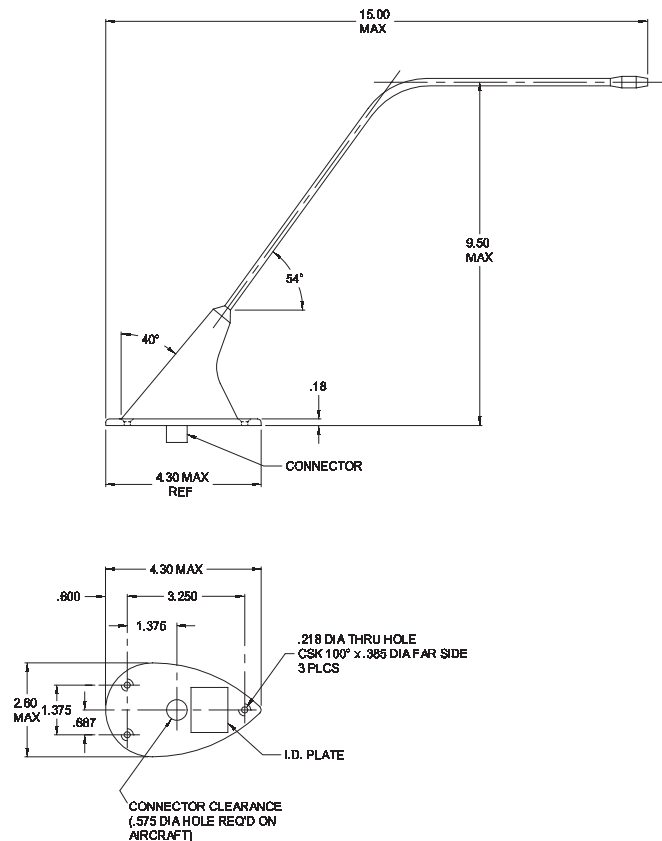


## Frequency • 138-174 MHz

Designed to provide 2.5:1 VSWR or better over a bandwidth of 138-174 MHz. Features a high-strength die-cast 3-hole aluminum base. Radiating element is a bent-whip tapered stainless steel rod suitable for bottom mounting. The CI 292-3 has been re-tested and upgraded to the new RTCA DO-160D environmental requirements.



<b>MODEL</b>	CI 292-3 FM Extended Band Bent Whip
<b>Electrical</b>	
Frequency	138 - 174 MHz
VSWR	2.5:1 Maximum
Polarization	Vertical
Radiation Pattern	Omnidirectional
Impedance	50 Ohms Nominal
Power RF	50 Watts
<b>Mechanical</b>	
Weight	0.5 lb. Maximum
Height	9.50 in. Maximum
Material	Die cast housing / Stainless steel whip
Finish	Polyurethane Enamel
Connector	BNC (female)
<b>Environmental</b>	
Temperature	-55°C to +70°C
Altitude	50,000 ft.
Air Speed	250 Knots TAS @ 25,000 ft.
<b>Federal Specifications</b>	
RTCA Environmental	DO-160D
Environmental Category	[D2X]ACB[R(C,C1)U(F,F1)] XWFDXSXXXX[XX]X[XXXX]XAX
FAA TSO	C37d, C38d
RTCA MOPS	DO-186A
<b>ORDER OPTIONS</b>	
<b>Connector</b>	
BNC	Standard
<b>Color</b>	
White	Standard
<b>Gasket</b>	
	B29205



**Warning:** Drawing not to scale. Use factory supplied drawings and specifications for installation. Call Comant for updated drawings.  
©2004 Comant Industries Inc. Patented. Other Patents Pending