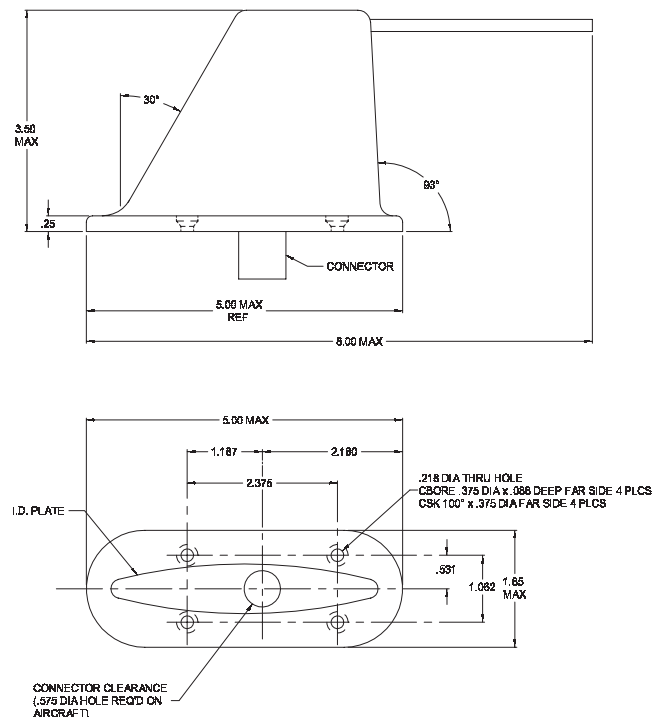


Frequency • 406-512 MHz

Wide band UHF antenna designed for high-performance aircraft over the full frequency range of 406-512 MHz. Low profile, blade-type antenna is encased in a low drag, low weight molded body to ensure high reliability. The CI 275 comes standard with BNC connector. Other connectors available. See order options chart.



MODEL		CI 275 Series UHF Antenna
Electrical		
Frequency	406 to 512 MHz	
VSWR	2.0:1 Maximum	
Polarization	Vertical	
Radiation Pattern	Equivalent of $\lambda / 4$ Stub	
Impedance	50 Ohms	
Power RF	50 Watts Average	
Mechanical		
Weight	0.5 lb. Maximum	
Height	3.5 in. Maximum	
Material	Lexan Housing	
Finish	Polyurethane Enamel	
Connector	BNC (female)	
Environmental		
Temperature	-55°C to +70°C	
Altitude	50,000 ft.	
Air Speed	600 Knots TAS @ 25,000 ft.	
ORDER OPTIONS		
Connector		
BNC	CI 275	
TNC	CI 275-2	
N	CI 275-5	
Color		
White	Standard	



Warning: Drawing not to scale. Use factory supplied drawings and specifications for installation. Call Comant for updated drawings.
©2004 Comant Industries Inc. Patented. Other Patents Pending